

DOOR CONTROL TRANSMITTER MODULE

REGISTRATION

HINT:

- Recognition code registration is necessary when the door control transmitter or the door control receiver is replaced with a new one.
- Add Mode is used to register new recognition codes while retaining the previously registered codes. This mode is used when new transmitters are added. If the number of registered codes exceeds 4, the previously registered codes will be erased in order, starting from the first registered code.
- Rewrite Mode is used to erase all the previously registered recognition codes in order to register new recognition codes. This mode is used when the transmitter or the door control receiver is replaced with a new one.
- Confirmation Mode is used to confirm how many recognition codes have already been registered before any additional recognition codes are registered.
- Prohibition Mode is used to erase all the registered codes and disable the wireless door lock function. This mode is used when the transmitters are lost.
- The registration procedure described on the following pages must be performed in order.

1. REGISTER RECOGNITION CODE USING INTELLIGENT TESTER

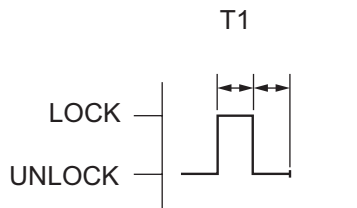
- (a) Turn the ignition switch to the ON position.
- (b) Select Add or Rewrite Mode according to the intelligent tester display.
- (c) The number of registered codes is indicated.
- (d) Registration of the door control transmitter.
 - (1) Within 30 seconds of Add Mode or Rewrite Mode being selected, press LOCK and UNLOCK switches on the transmitter switch simultaneously.
 - (2) Within 3 seconds of moving your finger away from the switches, press either switch of the transmitter for more than 1.0 seconds.

- (3) The main body ECU automatically performs the power door LOCK-UNLOCK operation after the switch on the transmitter is turned off, in order to indicate whether registration has been completed correctly or not.

Response to registration completion:

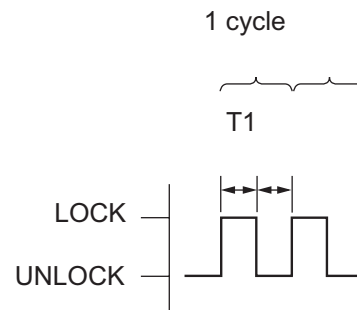
LOCK-UNLOCK Occurs Once

Registration of recognition code has been completed.



LOCK-UNLOCK Occurs Twice

Registration of recognition code has failed.



T1: Approximately 1 second

Y

B106704E01

HINT:

If the LOCK-UNLOCK operation is performed twice, registration of the recognition code has failed. Perform registration procedures from the beginning once again.

- (4) If registration is continued, the next recognition code must be registered in the transmitter within 30 seconds.
- HINT:
Up to four recognition codes can be registered.
- (e) Ending registration mode.
- (1) Registration mode will end when any of the following occurs:
- The intelligent tester is used to order completion.
 - The intelligent tester is disconnected.
- (f) Registration of the recognition codes (Add Mode and Rewrite Mode) is completed.

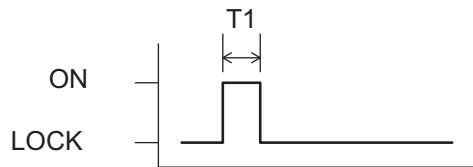
2. REGISTER RECOGNITION CODE MANUAL OPERATION

- (a) Check that the following conditions are met.
 - No key is in the ignition key cylinder.
 - Only driver side door is open.
- (b) Insert the key into the ignition key cylinder, and remove it twice within 5 seconds.
- (c) Perform the following operations within 40 seconds.
 - (1) Close and open the driver side door twice.
 - (2) Insert the key into the ignition key cylinder, then remove it.
- (d) Perform the following operations within 40 seconds.
 - (1) Close and open the driver side door twice.
 - (2) Insert the key into the ignition key cylinder and close all doors.
- (e) Perform the following operations within 40 seconds.
 - (1) Turn the ignition switch from LOCK to ON and back to LOCK 1 to 5 times at approximately 1 second intervals to select a mode (see the table below).

Number of ON-LOCK operations of ignition switch:

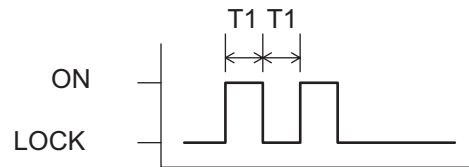
Add Mode

ON-LOCK operation: Once



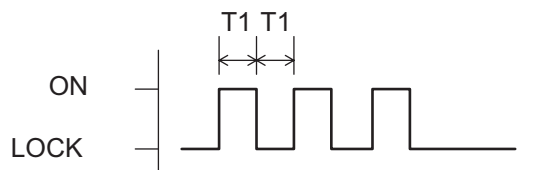
Rewrite Mode

ON-LOCK operation: Twice



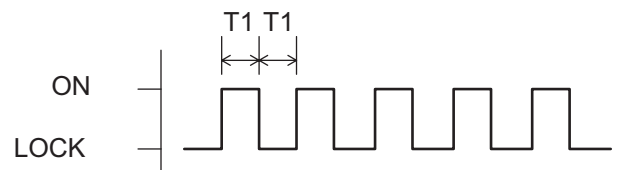
Confirmation Mode

ON-LOCK operation: 3 times



Prohibition Mode

ON-LOCK operation: 5 times



T1: Approximately 1 second

DL

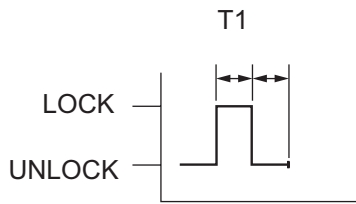
HINT:

If the number of ignition switch ON-LOCK operations is 0, 4, 6 or more, there will be no response (power DOOR LOCK and UNLOCK operation) to show which mode has been selected.

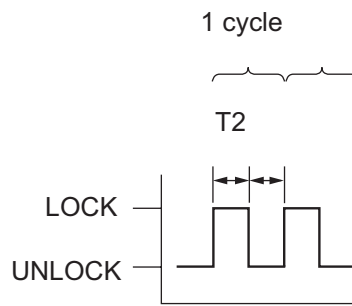
- (2) Remove the key from the ignition key cylinder.
- (f) The main body ECU automatically performs power door LOCK-UNLOCK operations to indicate which mode has been selected.

Response to mode selection (Power door lock operation):

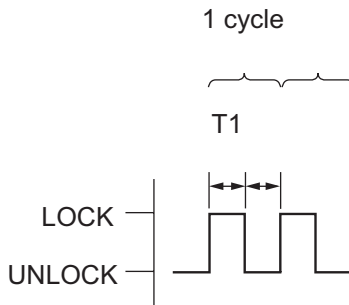
Add Mode LOCK-UNLOCK operation: Once



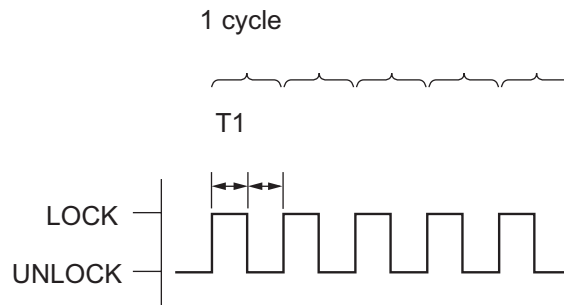
Confirmation Mode LOCK-UNLOCK operation: The number of registered codes (1 to 5 times)



Rewrite Mode LOCK-UNLOCK operation: Twice



Prohibition Mode LOCK-UNLOCK operation: 5 times



T1: Approximately 1 second T2: Approximately 2 seconds

Y

B106703E01

HINT:

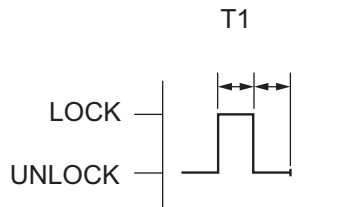
- In Confirmation Mode, LOCK-UNLOCK operation will occur once for each recognition code that has been registered. For example, if 2 recognition codes have been registered, the LOCK-UNLOCK operation will occur twice.
- In Confirmation Mode, if no recognition codes have been registered, LOCK-UNLOCK operation will occur 11 times.

DL

- If Confirmation Mode or Prohibition Mode is selected, the operation ends after the response to the selected mode is completed.
- (g) Register a new recognition code (Add Mode or Rewrite Mode) in accordance with the following procedure.
- (1) Within 40 seconds of Add Mode or Rewrite Mode being selected, press the LOCK and UNLOCK switches on the transmitter switch simultaneously for 1.0 to 1.5 seconds. Within 3 seconds of moving your finger away from the switches, press either switch of the transmitter for more than 1.0 second.
 - (2) Within 3 seconds of the transmitter switch being released, the LOCK-UNLOCK operation will be automatically performed once if the registration of the recognition code is correctly completed.

Response to registration completion:**LOCK-UNLOCK Occurs Once**

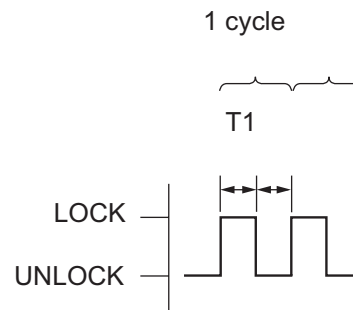
Registration of recognition code has been completed.



T1: Approximately 1 second

LOCK-UNLOCK Occurs Twice

Registration of recognition code has failed.



Y

B106704E01

HINT:

If the LOCK-UNLOCK operation is performed twice, the registration of the recognition code has failed, so perform the registration procedure from the beginning once again.

- (h) If multiple transmitters need to be registered, repeat the registration of a new recognition code procedure within 40 seconds of the previous registration.

- (i) If any of the following conditions is met, the Registration Mode will end:
 - (1) The key is inserted into the ignition key cylinder.
 - (2) Any doors are opened.
 - (3) 40 seconds or more elapse after code registration.
- (j) Registration of the recognition codes (Add Mode and Rewrite Mode) is completed.